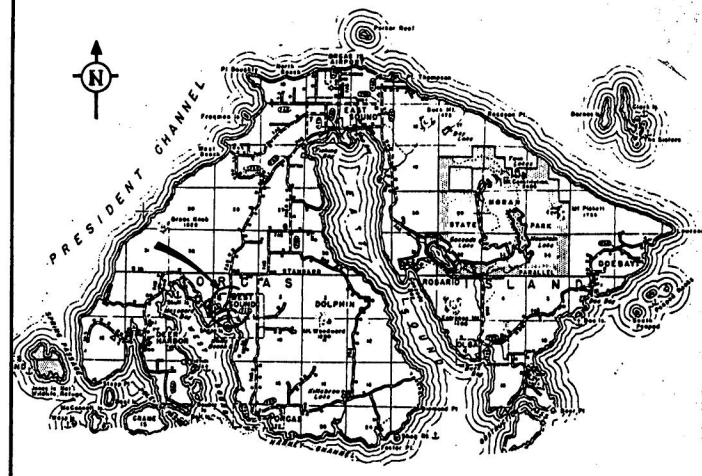
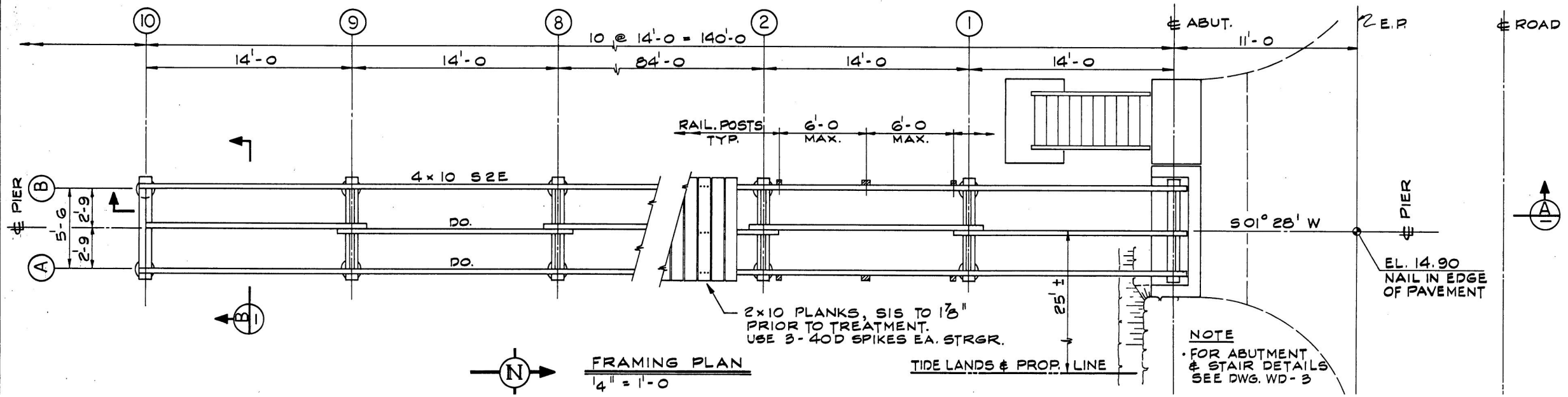


- NOTES**
1. WORK THIS DWG. WITH DWG. WD-01.
 2. THIS DWG. DEPICTS THE REQUIREMENTS FOR TWO 40' x 8' FLOATS, MOORING PILINGS AND RAMP. CONFIGURATION OF FLOATS, PILINGS & ATTACHMENTS MAY BE REVISED OR ADJUSTED BY THE CONTRACTOR TO MEET HIS DESIGN. REVISIONS OR ADJUSTMENTS MUST BE SUBMITTED FOR THE ENGINEERS APPROVAL.
 3. ALL MOORING PILINGS SHALL BE CLASS A.
 4. (see addendum)

DATE	DESCRIPTION	BY
REVISIONS		
SAN JUAN COUNTY		
WESTSOUND DOCK		
FLOATS, PILINGS & RAMP REQUIREMENTS		
CHAIRMAN OF THE BOARD OF COMMISSIONERS	JOB NO.	CLASSIFICATION
<i>[Signature]</i>	020451	ACCESS
APPROVED - COUNTY ENGINEER	MILE POST	ROAD NO.
<i>[Signature]</i>	N/A	51
DRAWN / DESIGNED	CHECKED	DWG. NO.
R. A. OBENAU		WD-02
	DATE	SCALE
	FEB. 5, 1989	NOTED



NOTES
 1. ALL MATERIAL FABRICATION & WORK